

PET Recycling





ABOUT US

Established in 2006, Useon has been focusing on polymer extrusion equipment and process technology. We are committed to providing advanced polymer extrusion equipment and total solutions for our customers.

Our professional and aspiring team has made a number of milestones in designing machines for plastic processing. we are new technology leader in polymer compounding ,foam ,film/sheet direct extrusion and plastic recycling.



Plastic recycling :

- PET flakes ,material after agglomerator recycling and pelletizing line;
- PET waste cloth,film,fiber after crusher recycling and pelletizing line;
- One step PET sheet production line;
- One step PET 4 straps production line;
- XPS,EPS foam waste recycling and pelletizing line.

■ PET bottle flakes recycling and pelletizing line

Our new PET bottle flakes recycling technology enables the process to get rid of pre-drying step. The combination of twin screw extruder and high efficient vacuum system streamlines the whole process, yet keeps the final pellets in good quality.

Tech features and advantages

- High efficient vacuum keeps the IV drop minor
- Optimized screw design avoids yellowing
- Streamline the process
- Pre-drying-free technology saves energy up to 35%
- Minimize the investment



PET bottle flakes recycling and pelletizing line

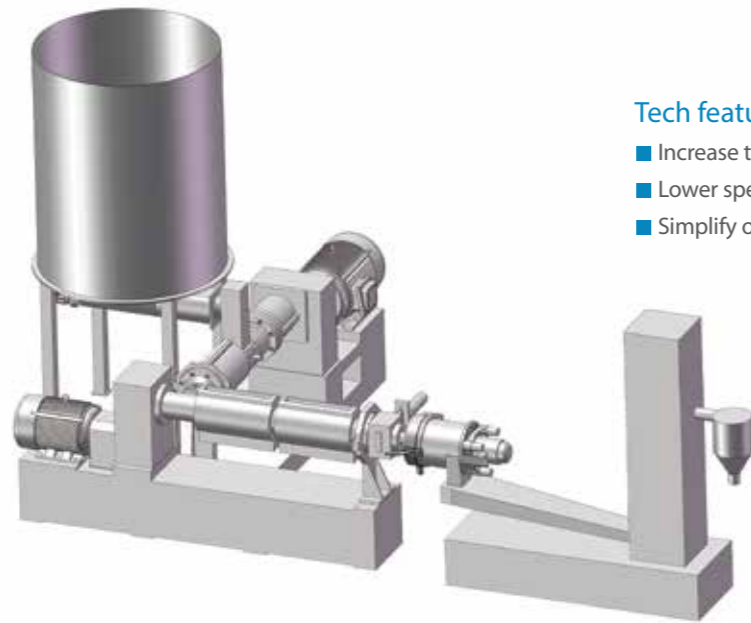
	SAT75	SAT95	SAT110	SAT135	SAT175
output	300~400	600~700	900~1100	1500~1600	2200~2500
screw speed	400	400	400	400	400
dia. of screw	71.4	93	108	133	170
L/D	40	40	40	40	40

User site:



■ Ground film, waste cloth and fiber recycling system :

Useon's new recycling technology is designed for productivity. New force feeding system plus twin screw extruder significantly increased raw material intake efficiency. New type of pelletizing is more user-friendly and low maintenance.



Tech features and advantages

- Increase the output up to 60%-100%
- Lower specific energy consumption
- Simplify operation



we have three models: 300kg/h, 600kg/h, 800kg/h

■ One-step PET sheet/film production line :

For PET sheet/film production, we go direct. Conventional pre-drying procedure has been completely removed from the whole process. Either 100% rPET pellets or flakes or virgin, or mixture of them, our system can easily handle it.



Tech features and advantages

- Pre-drying-free technology
- High efficient vacuum system keeps IV drop minor
- Optimized screw design avoids yellowing
- More user-friendly and intelligent close-loop control

PET sheet production line

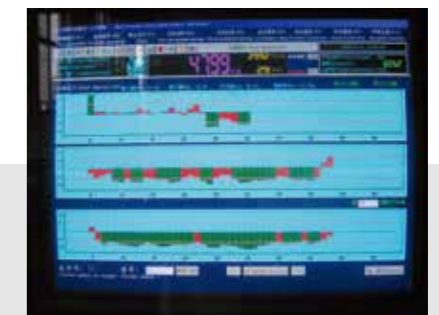
	SAT75	SAT95	SAT135
motor	110	160	315
output	350 ~ 400	600 ~ 700	1200 ~ 1300
Dia. of screw	71.4	93	133



sheet extrusion



PET sheet



control system

■ One step PET 4 straps production line :

With undried technology and high efficient vacuum system,take PET flakes as material ,to get strap production in one step, (4 straps coming out from same die)



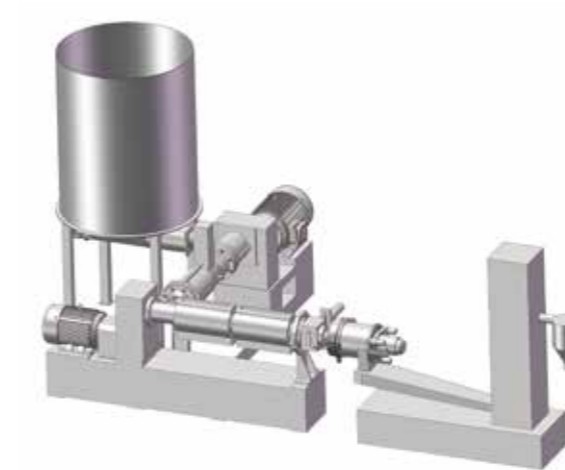
Tech features and advantages

- high efficient extruder and vacuum system,lower IV drop
- optimized design of screw to make sure good color of production
- stable extrusion pressure
- save power up to 30% with undried technology
- save space
- minimum investment

■ EPS/XPS waste recycling system :

For fluffy EPS/XPS recycling,feeding difficulty has been the biggest challenge. Our novelty force feeding system and special convey screw elements design greatly increase the raw material intake efficiency. New pelletizing system brings up the productivity.

model	output
RX500	500KG/HR
RX1000	1000KG/HR



Tech features and advantages

- High efficient feeding system
- Low temperature extrusion process
- Low maintenance pelletizing system

USEON

Extrusion

Result of professional



□ Polymer Compounding & Pelletizing for

- Color masterbatch and functional masterbatch
- VOC devolatilization
- Engineering plastic reinforcement
- Filling and modification



□ Polymer Foam Extrusion for

- CO2 foam XPS board
- Graphite EPS beads pelletizing
- Biodegradable foam product
- PE/PP/PET foam sheet



□ Twin Screw Direct Extrusion Sheet/Film Line for

- Undried PET/PC sheet
- PP vacuum shaping sheet
- EVA/PVB sheet
- PVC/WPC/PP foam sheet



□ PET recycling

- PET waste fiber, film recycling
- PET bottle flakes recycling
- PET sheet production line
- PET strap production line



Useon (Nanjing) Extrusion Machinery Co.,Ltd.

Add: 38. Wenchang West Rd, Jurong City, Jiangsu Province PC: 212400

TEL : 0086 25 5235 0368 Mobile: 0086 159 5053 4016 E-mail: info@useongroup.com

Web: www.useongroup.com